

SENITEC

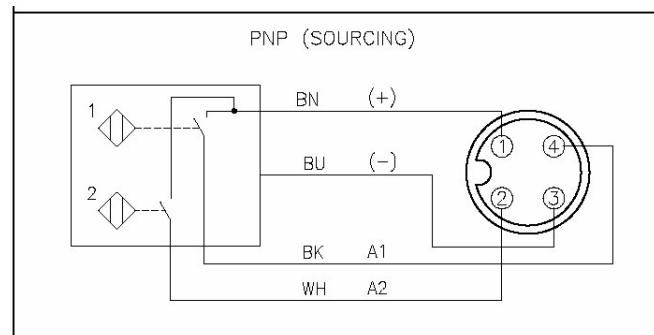
Position Indication Devices

2825 Pacific Drive
Suite C
Norcross, GA 30071
Phone: 770-416-1202
Fax: 770-446-1620
<http://www.senitec.com>

**Inductive
Switch
IS55DC**

DATA SHEET

INDUCTIVE SWITCH IS55DC



ELECTRICAL CHARACTERISTICS:

SWITCH RATING

INPUT VOLTAGE (V_{IN})	10-65 VDC
OUTPUT CURRENT	≤ 200 mA DC
OUTPUT FUNCTION	4-WIRE, 2x NORMALLY OPEN, PNP
MAX OFF-STATE CURRENT	≤ 0.1 mA
MAX SWITCHING FREQ	≤ 0.05 kHz
RATED INSULATION VOLTAGE	≤ 0.5 kV
SHORT-CIRCUIT PROTECTION	YES
WIRE BREAKAGE PROTECTION	YES
REVERSE POLARITY PROTECTION	YES
SWITCHING INDICATION	2 LEDs: YELLOW/RED

MECHANICAL CHARACTERISTICS:

DIMENSIONS	59 x 60 x 35.4 mm
WIRING	CONNECTOR, MICRO 12
OPERATING TEMPERATURE	-25 TO 70°C
RATED SENSING DISTANCE	4 mm
MIN REPEAT ACCURACY	$\leq 2\%$
VIBRATION RESISTANCE	55 Hz (1 mm)
SHOCK RESISTANCE	30G (11 ms)