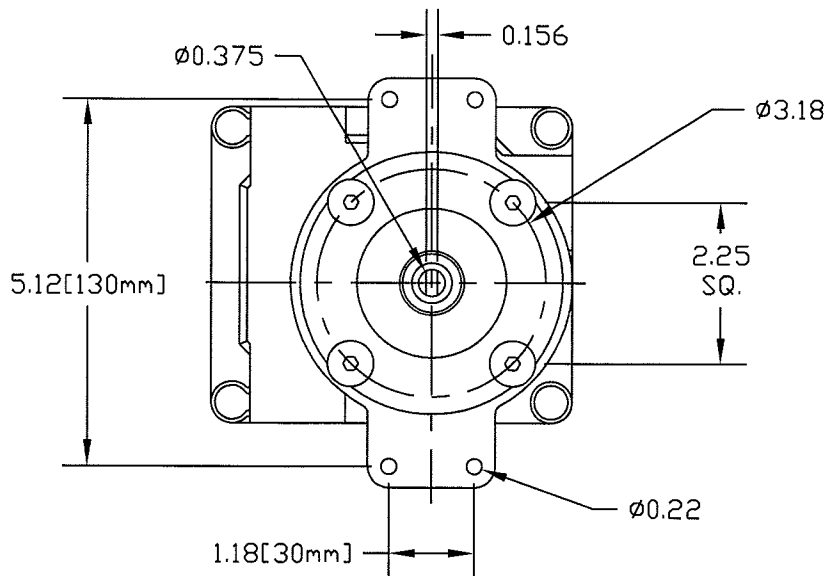
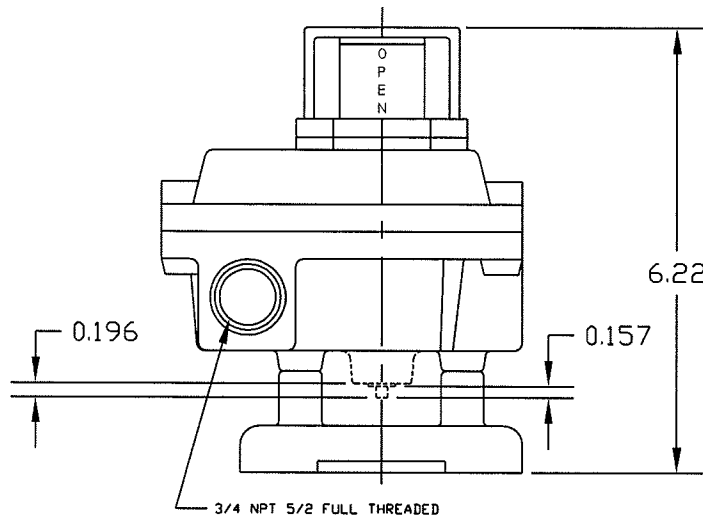
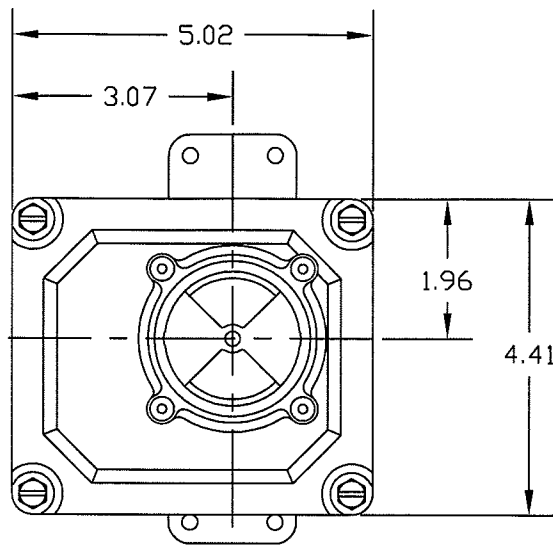


BAXAXX1X30



* OPTIONS DO NOT INFLUENCE DIMENSIONS

SCALE 1:2

SENITEC CORP

NORCROSS, GEORGIA U.S.A. 30071

PRODUCT
OUTLINE DRAWING

PART NUMBER
BAXAXX1X30

DESCRIPTION

SENITEC
POSITION INDICATING DEVICE
NEMA 4 ALUMINUM
NAMUR 130 X 30

SALES DRAWING NO.
BAXAXX1X30

CLN REV.