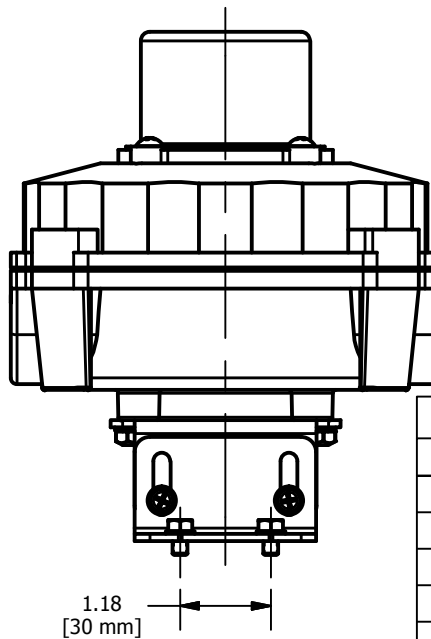
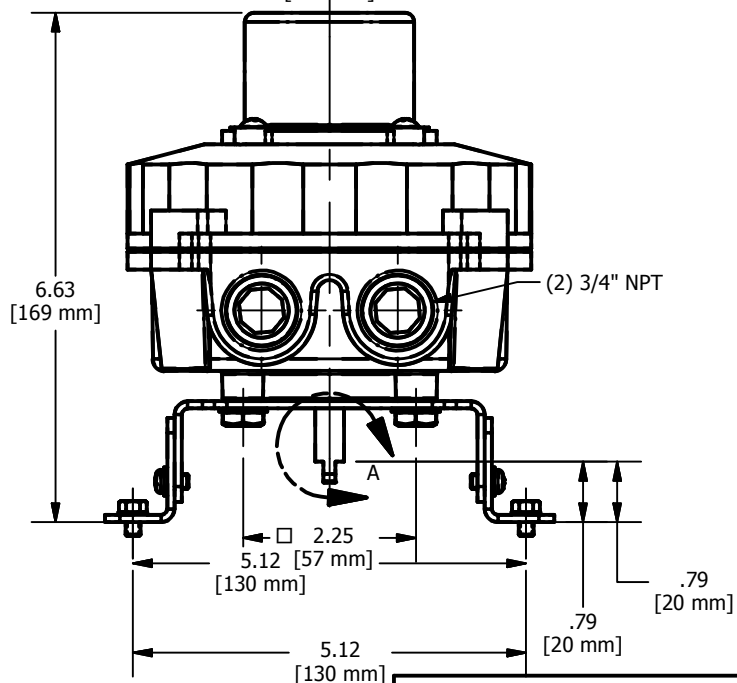
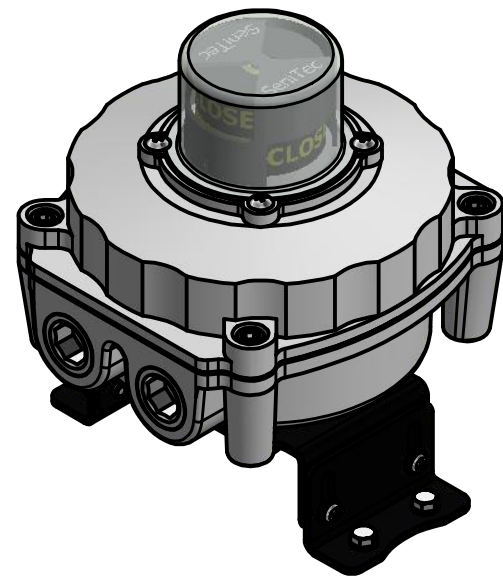


DETAIL A



LABAA211100	
Class I, Zone 1, AEx d IIC T6 Gb	
Enclosure Type	Ex d IIC T6 Gb
Switch Type	(2) SPDT Mechanical
Switch Voltage	125-250 VAC Rated 15 AMP
Terminal Strip	8 Pole
Indicator	Black and Yellow
Universal Bracket	Namur Standard Included

DESCRIPTION  
 Specification Sheet  
 Unitorq L Series Switch Box  
 Envelope and Mounting  
 Dimensions

NOTICE:  
 THIS DRAWING INCLUDES THE DESIGN AND PRINCIPLES  
 DISCLOSED AND IS THE SOLE PROPERTY OF UNITORQ AND  
 ITS AFFILIATES. IT SUBMITTED WITH THE UNDERSTANDING  
 THAT IT IS NOT TO BE REPRODUCED, NOR COPIED IN  
 WHOLE OR IN PART, NOR LOANED OR OTHERWISE  
 COMMUNICATED TO ANY THIRD PARTY, NOR USED IN ANY  
 MANNER DETRIMENTAL TO THE INTERESTS OF UNITORQ  
 OR ANY OF ITS AFFILIATES WITHOUT THE EXPRESSED  
 WRITTEN CONSENT OF UNITORQ. ACCEPTANCE OF THIS  
 DRAWING WILL BE CONSTRUED AS AN AGREEMENT TO THE  
 ABOVE.



2150 Boggs Road, Suite 410  
 DULUTH, GEORGIA U.S.A. 30096  
 Ph: 770-446-7074  
 Fax: 770-447-1825  
 www.unitorq.com



PRODUCT: Switch Box	PART NUMBER: LABAA211100	SALES DRAWING NUMBER: LABAA211100	DWN BY: KLE	DATE: 11/23/2022	SCALE: NTS	REV. 0
------------------------	-----------------------------	--------------------------------------	----------------	---------------------	---------------	-----------