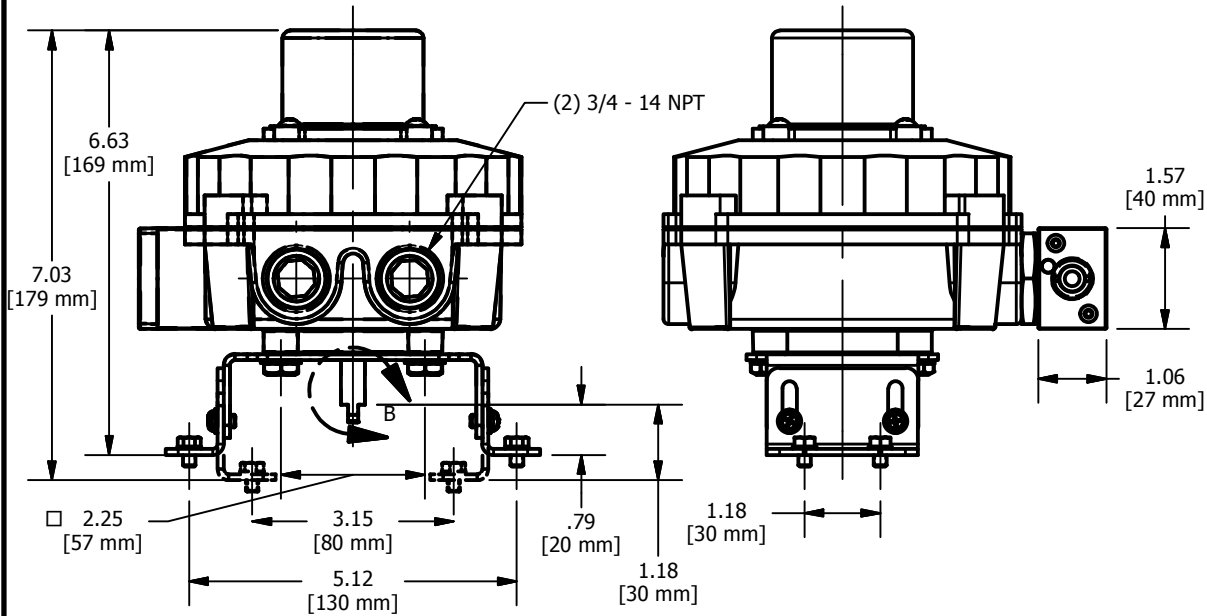
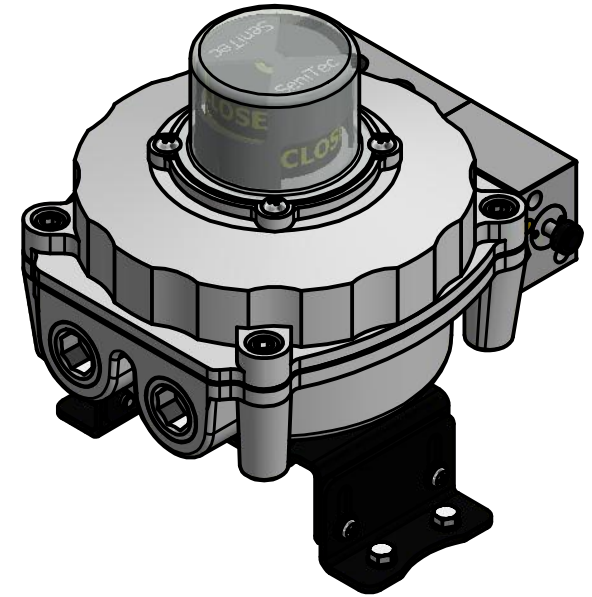


DETAIL B



LABAA211110	
Enclosure Type	Nema 4, 4X IP67
Switch Type	(2) SPDT Mechanical
Switch Voltage	125-250 VAC Rated 15 AMP
Terminal Strip	8 Pole
Indicator	Black and Yellow
Universal Bracket	Namur Standard Included
Internal Solenoid	12 or 24 VDC or 110 or 220 VAC

DESCRIPTION
**Unitorg L Series Switch Box
Envelope and Mounting
Dimensions**

NOTICE:
THIS DRAWING INCLUDES THE DESIGN AND PRINCIPLES DISCLOSED AND IS THE SOLE PROPERTY OF UNITORG AND ITS AFFILIATES. IT SUBMITTED WITH THE UNDERSTANDING THAT IT IS NOT TO BE REPRODUCED, NOR COPIED IN WHOLE OR IN PART, NOR LOANED OR OTHERWISE COMMUNICATED TO ANY THIRD PARTY, NOR USED IN ANY MANNER DETRIMENTAL TO THE INTERESTS OF UNITORG OR ANY OF ITS AFFILIATES WITHOUT THE EXPRESSED WRITTEN CONSENT OF UNITORG. ACCEPTANCE OF THIS DRAWING WILL BE CONSTRUED AS AN AGREEMENT TO THE ABOVE.

2150 Boggs Road, Suite 410
DULUTH, GEORGIA U.S.A. 30096
Ph: 770-446-7074
Fax: 770-447-1825
www.unitorg.com

**ISO 9001:2015
CERTIFIED COMPANY**

PR I Registrar
PERFORMANCE EXCELLENCE

PRODUCT: Switch Box	PART NUMBER: LABAA211110	SALES DRAWING NUMBER: LABAA211110	DWN BY: KLE	DATE: 11/23/2022	SCALE: NTS	REV. 0
-------------------------------	------------------------------------	---	-----------------------	----------------------------	----------------------	------------------