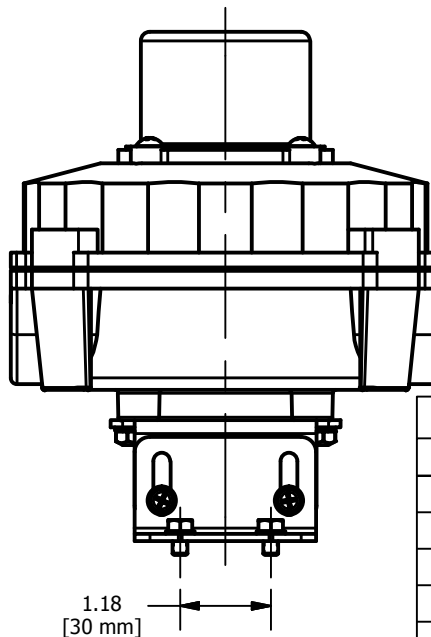
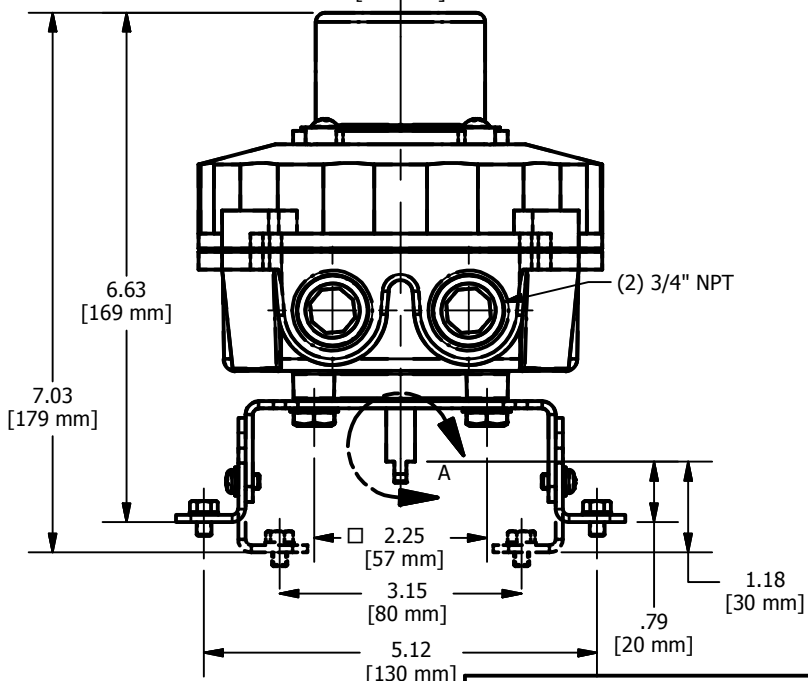
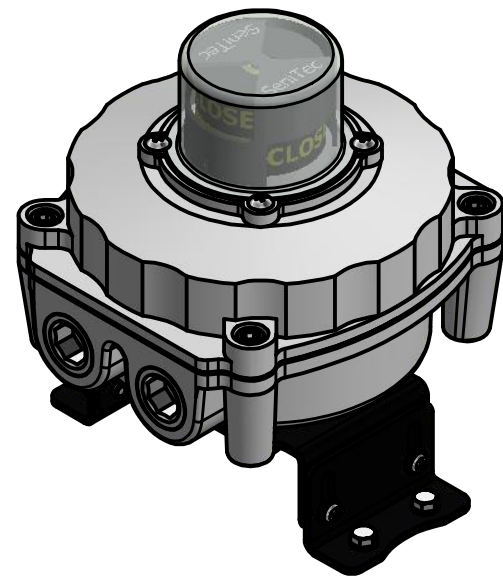


DETAIL A



LABAA414100	
Class I, Zone 1, AEx d IIC T6 Gb	
Enclosure Type	Ex d IIC T6 Gb CSA
Switch Type	(4) SPDT Mechanical
Switch Voltage	125-250 VAC Rated 15 AMP
Terminal Strip	14 Pole
Indicator	Black and Yellow
Universal Bracket	Namur Standard Included

DESCRIPTION
Specification Sheet
Unitorq L Series Switch Box
Envelope and Mounting
Dimensions

NOTICE:
 THIS DRAWING INCLUDES THE DESIGN AND PRINCIPLES DISCLOSED AND IS THE SOLE PROPERTY OF UNITORQ AND ITS AFFILIATES. IT SUBMITTED WITH THE UNDERSTANDING THAT IT IS NOT TO BE REPRODUCED, NOR COPIED IN WHOLE OR IN PART, NOR LOANED OR OTHERWISE COMMUNICATED TO ANY THIRD PARTY, NOR USED IN ANY MANNER DETRIMENTAL TO THE INTERESTS OF UNITORQ OR ANY OF ITS AFFILIATES WITHOUT THE EXPRESSED WRITTEN CONSENT OF UNITORQ. ACCEPTANCE OF THIS DRAWING WILL BE CONSTRUED AS AN AGREEMENT TO THE ABOVE.



2150 Boggs Road, Suite 410
 DULUTH, GEORGIA U.S.A. 30096
 Ph: 770-446-7074
 Fax: 770-447-1825
 www.unitorq.com



PRODUCT: Switch Box	PART NUMBER: LABAA414100	SALES DRAWING NUMBER: LABAA414100	DWN BY: KLE	DATE: 11/23/2022	SCALE: NTS	REV. 0
------------------------	-----------------------------	--------------------------------------	----------------	---------------------	---------------	-----------