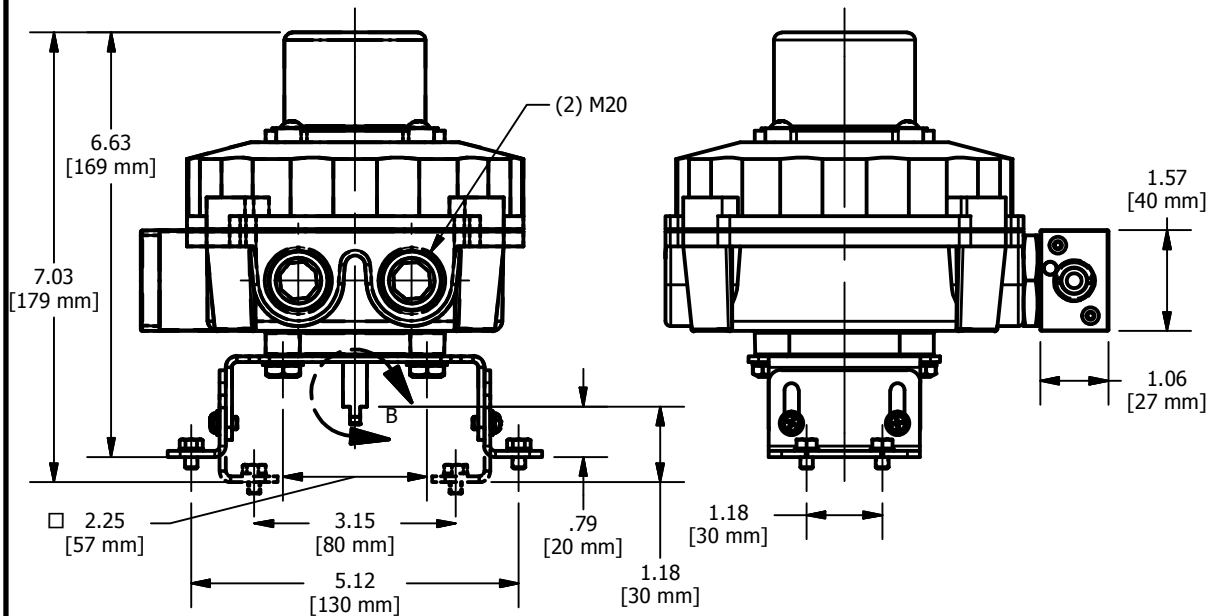
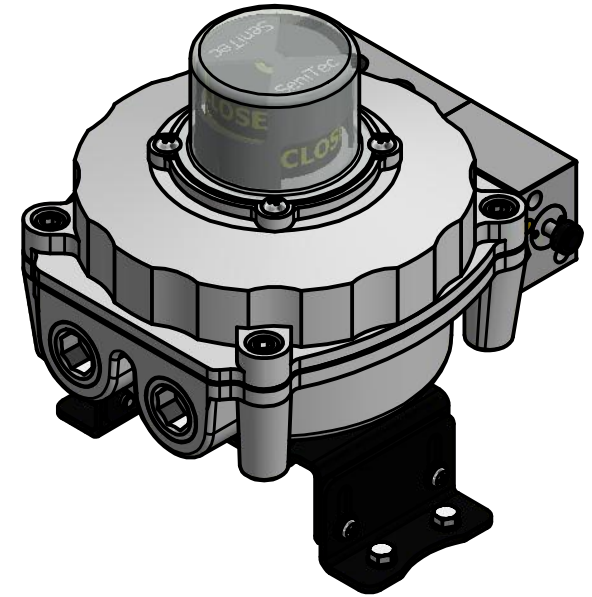


DETAIL B



LABBF211110	
Class 1, Zone 1, AEx d IIC T6 Gb IP67	
Enclosure Type	Ex d IIC T6 Gb CSA
Switch Type	(2) PP22B Inductive Sensor (P+F NJ2-V3-N)
Switch Voltage	8 VDC ≤ 1mA
Terminal Strip	8 Pole
Indicator	RED and GREEN
Universal Bracket	Namur Standard Included (MB3.3)
Internal Solenoid	24 VDC (5/2) Intrinsic Safe

DESCRIPTION

**Unitorg L Series Switch Box
Envelop and Mounting Dimensions**

PRODUCT: Switch Box

NOTICE:
THIS DRAWING INCLUDES THE DESIGN AND PRINCIPLES DISCLOSED AND IS THE SOLE PROPERTY OF UNITORG AND ITS AFFILIATES. IT IS SUBMITTED WITH THE UNDERSTANDING THAT IT IS NOT TO BE REPRODUCED, NOR COPIED IN WHOLE OR IN PART, NOR LOANED OR OTHERWISE COMMUNICATED TO ANY THIRD PARTY, NOR USED IN ANY MANNER DETRIMENTAL TO THE INTERESTS OF UNITORG OR ANY OF ITS AFFILIATES WITHOUT THE EXPRESSED WRITTEN CONSENT OF UNITORG. ACCEPTANCE OF THIS DRAWING WILL BE CONSTRUED AS AN AGREEMENT TO THE ABOVE.

2150 Boggs Road, Suite 410
DULUTH, GEORGIA U.S.A. 30096
Ph: 770-446-7074
Fax: 770-447-1825
www.unitorg.com

**ISO 9001:2015
CERTIFIED COMPANY**

ISO 9001:2015
CERTIFIED COMPANY

PART NUMBER: LABBF211110	SALES DRAWING NUMBER: LABBF211110	DWN BY: KTL	DATE: 11/23/2022	SCALE: NTS	REV. 0
------------------------------------	---	-----------------------	----------------------------	----------------------	------------------