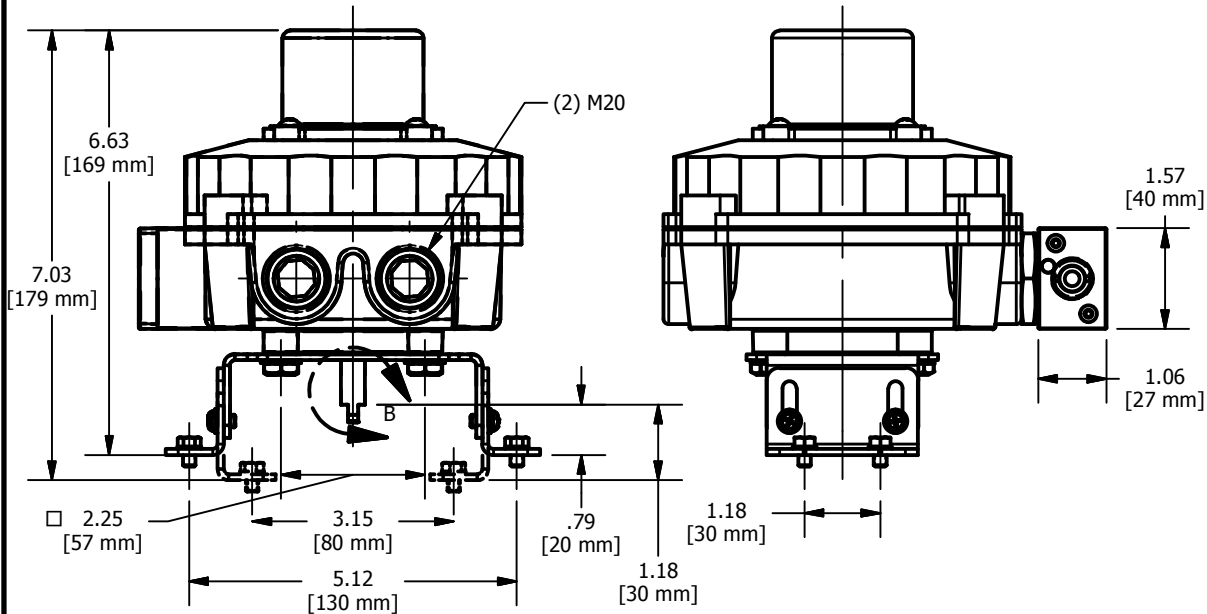
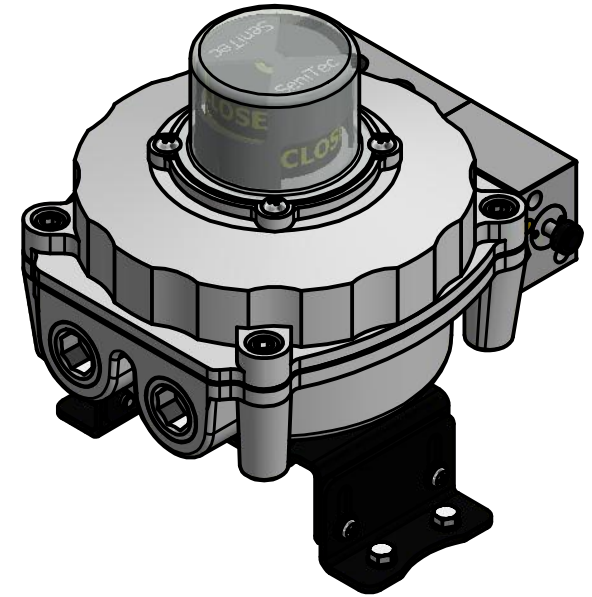


DETAIL B



<b>LABBP211110</b>	
Class 1, Zone 1, AEx d IIC T6 Gb IP67	
Enclosure Type	Ex d IIC T6 Gb CSA
Switch Type	(2) PP22B Inductive Sensor (P+F NJ2-V3-N)
Switch Voltage	8 VDC ≤ 1mA
Terminal Strip	8 Pole
Indicator	RED and GREEN
Universal Bracket	Namur Standard Included (MB3.3)
Internal Solenoid	24 VDC (5/2) Intrinsic Safe

DESCRIPTION  
**Unitorq L Series Switch Box  
Envelop and Mounting Dimensions**

PRODUCT: Switch Box

NOTICE:  
THIS DRAWING INCLUDES THE DESIGN AND PRINCIPLES DISCLOSED AND IS THE SOLE PROPERTY OF UNITORQ AND ITS AFFILIATES. IT IS NOT TO BE REPRODUCED, NOR COPIED IN WHOLE OR IN PART, NOR LOANED OR OTHERWISE COMMUNICATED TO ANY THIRD PARTY, NOR USED IN ANY MANNER DETRIMENTAL TO THE INTERESTS OF UNITORQ OR ANY OF ITS AFFILIATES WITHOUT THE EXPRESSED WRITTEN CONSENT OF UNITORQ. ACCEPTANCE OF THIS DRAWING WILL BE CONSTRUED AS AN AGREEMENT TO THE ABOVE.

2150 Boggs Road, Suite 410  
DULUTH, GEORGIA U.S.A. 30096  
Ph: 770-446-7074  
Fax: 770-447-1825  
www.unitorq.com

ISO 9001:2015  
CERTIFIED COMPANY

PRI Registrar  
WORLDWIDE NETWORK

PART NUMBER: <b>LABBP211110</b>	SALES DRAWING NUMBER: <b>LABBP211110</b>	DWN BY: <b>KTL</b>	DATE: <b>11/23/2022</b>	SCALE: <b>NTS</b>	REV. <b>0</b>
------------------------------------	---	-----------------------	----------------------------	----------------------	------------------