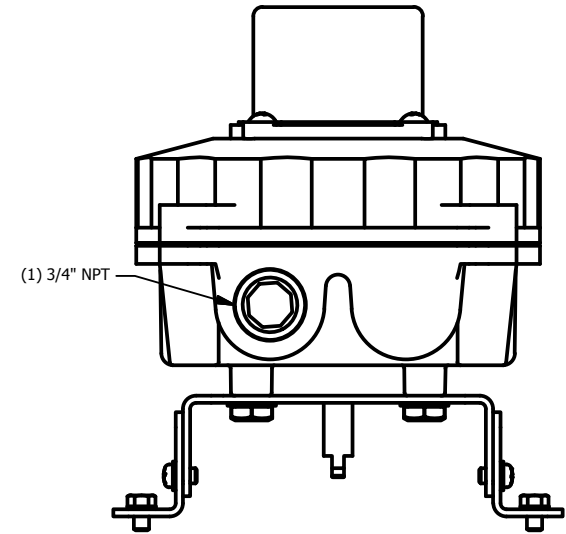
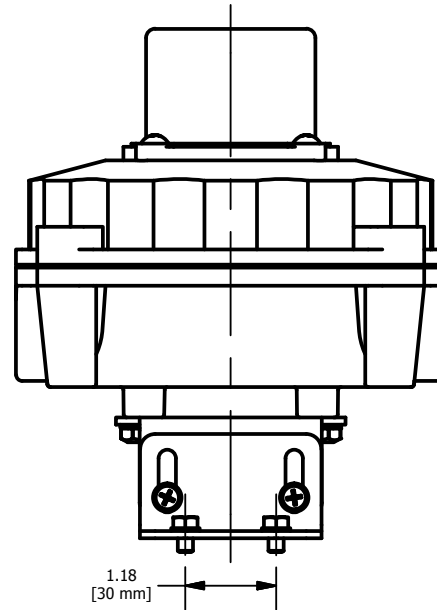
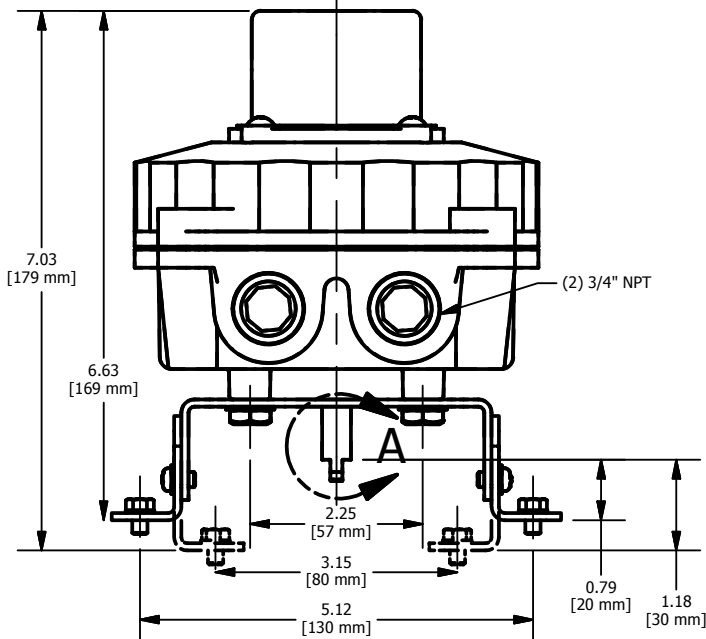
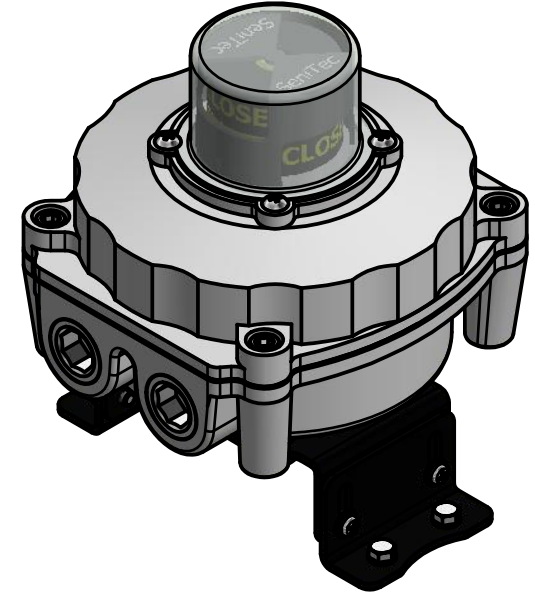


DETAIL A



LCBAH211100	
Enclosure Type	Nema 4, 4x IP67
Switch Type	(2) QA 23 Magnet Sensor
Switch Voltage	5-240 VAC/VDC <= 300 mA
Terminal Strip	8 Pole
Indicator	Black and Yellow
Universal Bracket	Namur Standard Included

DESCRIPTION	
Specification Sheet UniTorq L Series Switch box Envelope and Mounting Dimensions	
PRODUCT:	Switch Box
PART NUMBER:	LCBAH211100

NOTICE:
THIS DRAWING INCLUDES THE DESIGN AND PRINCIPLES DISCLOSED AND IS THE SOLE PROPERTY OF UNITORQ AND ITS AFFILIATES. IT SUBMITTED WITH THE UNDERSTANDING THAT IT IS NOT TO BE REPRODUCED, NOR COPIED IN WHOLE OR IN PART, NOR LOANED OR OTHERWISE COMMUNICATED TO ANY THIRD PARTY, NOR USED IN ANY MANNER DETRIMENTAL TO THE INTERESTS OF UNITORQ OR ANY OF ITS AFFILIATES WITHOUT THE EXPRESSED WRITTEN CONSENT OF UNITORQ. ACCEPTANCE OF THIS DRAWING WILL BE CONSTRUED AS AN AGREEMENT TO THE ABOVE.



2150 Boggs Road, Suite 410
DULUTH, GEORGIA U.S.A. 30096
Ph: 770-446-7074
Fax: 770-447-1825
www.unitorq.com



SALES DRAWING NUMBER:	LCBAH211100	DWN BY:	KLE	DATE:	11/23/2022	SCALE:	NTS	REV.	0
-----------------------	-------------	---------	-----	-------	------------	--------	-----	------	---