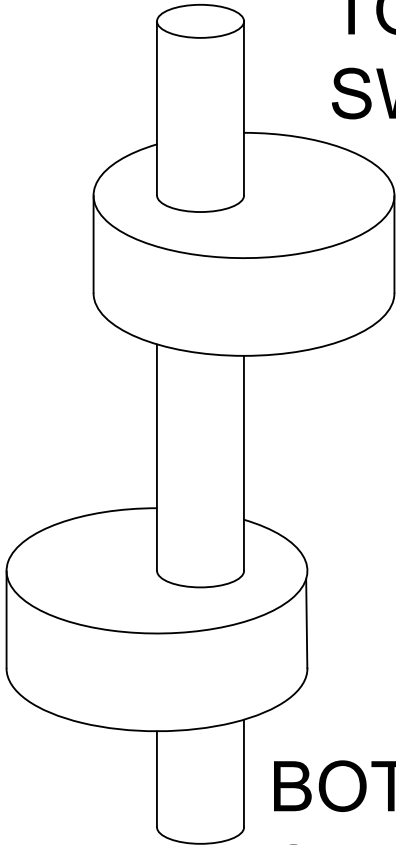
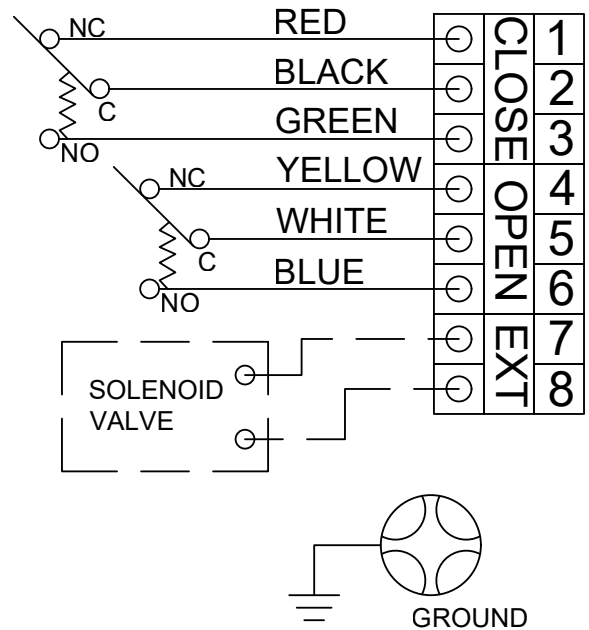



TOP SWITCH



BOTTOM SWITCH



DESCRIPTION LIMIT SWITCH BOX WIRING DIAGRAM		NOTICE: THIS DRAWING INCLUDES THE DESIGN AND PRINCIPLES DISCLOSED AND IS THE SOLE PROPERTY OF UNITORQ AND ITS AFFILIATES. IT SUBMITTED WITH THE UNDERSTANDING THAT IT IS NOT TO BE REPRODUCED, NOR COPIED IN WHOLE OR IN PART, NOR LOANED OR OTHERWISE COMMUNICATED TO ANY THIRD PARTY, NOR USED IN ANY MANNER DETRIMENTAL TO THE INTERESTS OF UNITORQ OR ANY OF ITS AFFILIATES WITHOUT THE EXPRESSED WRITTEN CONSENT OF UNITORQ. ACCEPTANCE OF THIS DRAWING WILL BE CONSTRUED AS AN AGREEMENT TO THE ABOVE.				2150 Boggs Road, Suite 410 DULUTH, GEORGIA U.S.A. 30096 Ph: 770-446-7074 Fax: 770-447-1825 www.unitorq.com	
PRODUCT	PART NUMBER	SALES DRAWING NO. 2 SPDT MECHANICAL	DWN BY: AKUBE	DATE: 09/21/2017	SCALE: N.T.S.	REV. 0	

