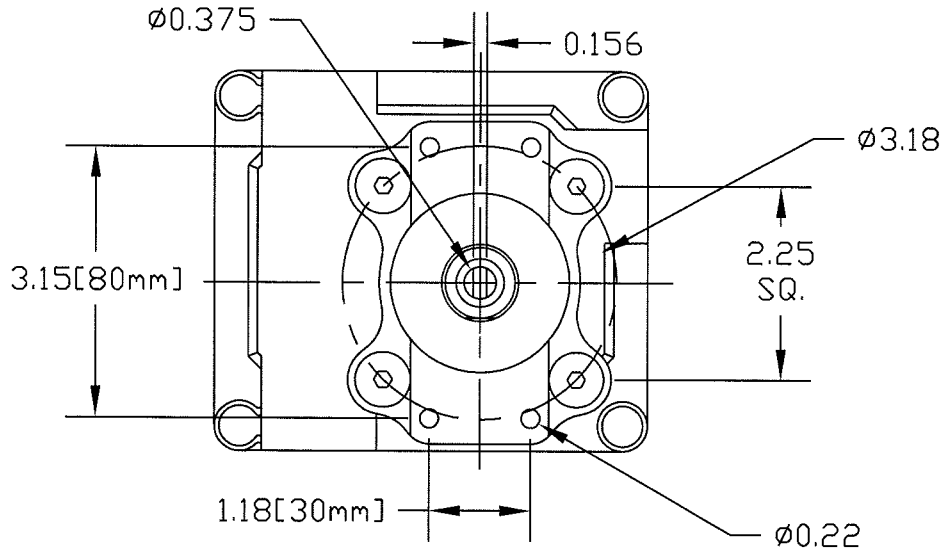
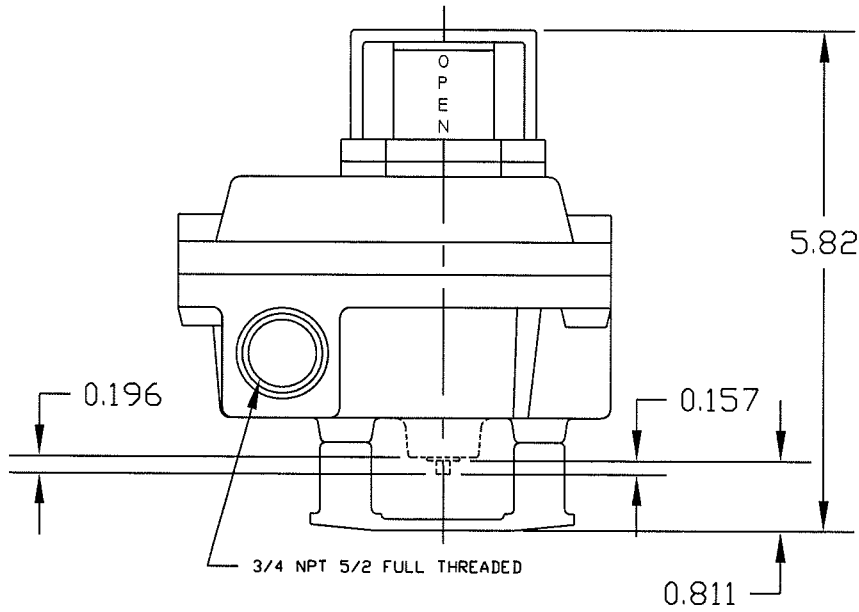
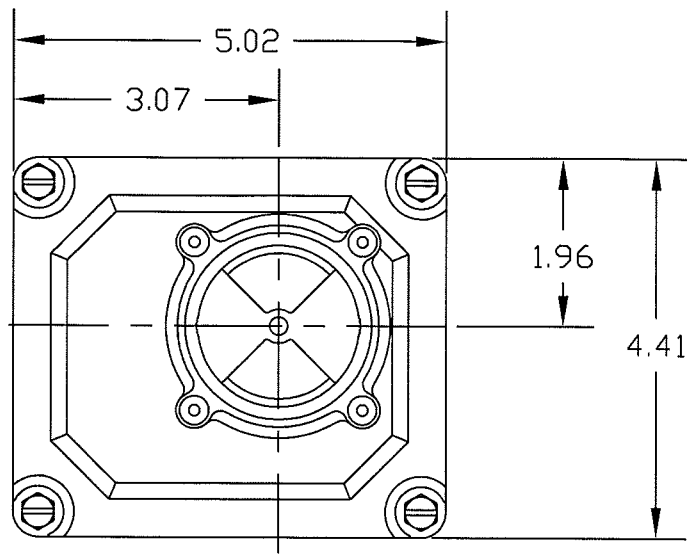


ZAXAXX1X10



* OPTIONS DO NOT INFLUENCE DIMENSIONS

SCALE 1:2

SENITEC CORP

NORCROSS, GEORGIA U.S.A. 30071

PRODUCT

OUTLINE DRAWING

PART NUMBER

ZAXAXX1X10

DESCRIPTION

SENITEC
POSITION INDICATING DEVICE
NEMA 7 ALUMINUM
NAMUR 80 X 20

SALES DRAWING NO.

ZAXAXX1X10

CLN

REV.